

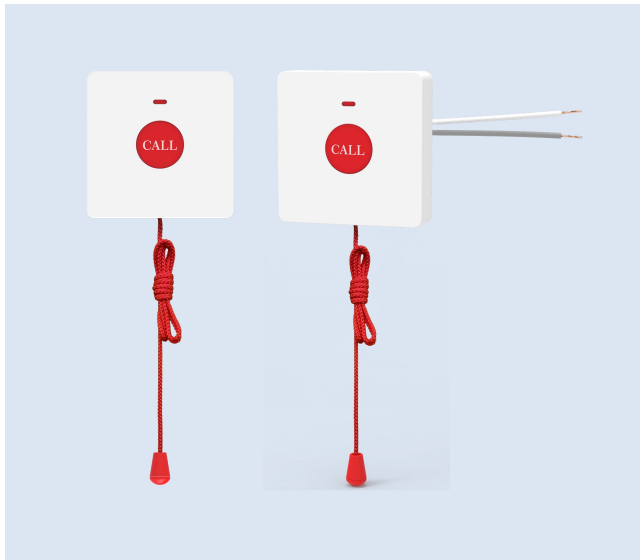


KT31 Emergency Button

Fanvil KT31 is a wall-mounted emergency button, which is mainly used in places such as bathrooms to provide immediate help to users in emergency situations. This button allows users to signal help easily and quickly.

Highligts

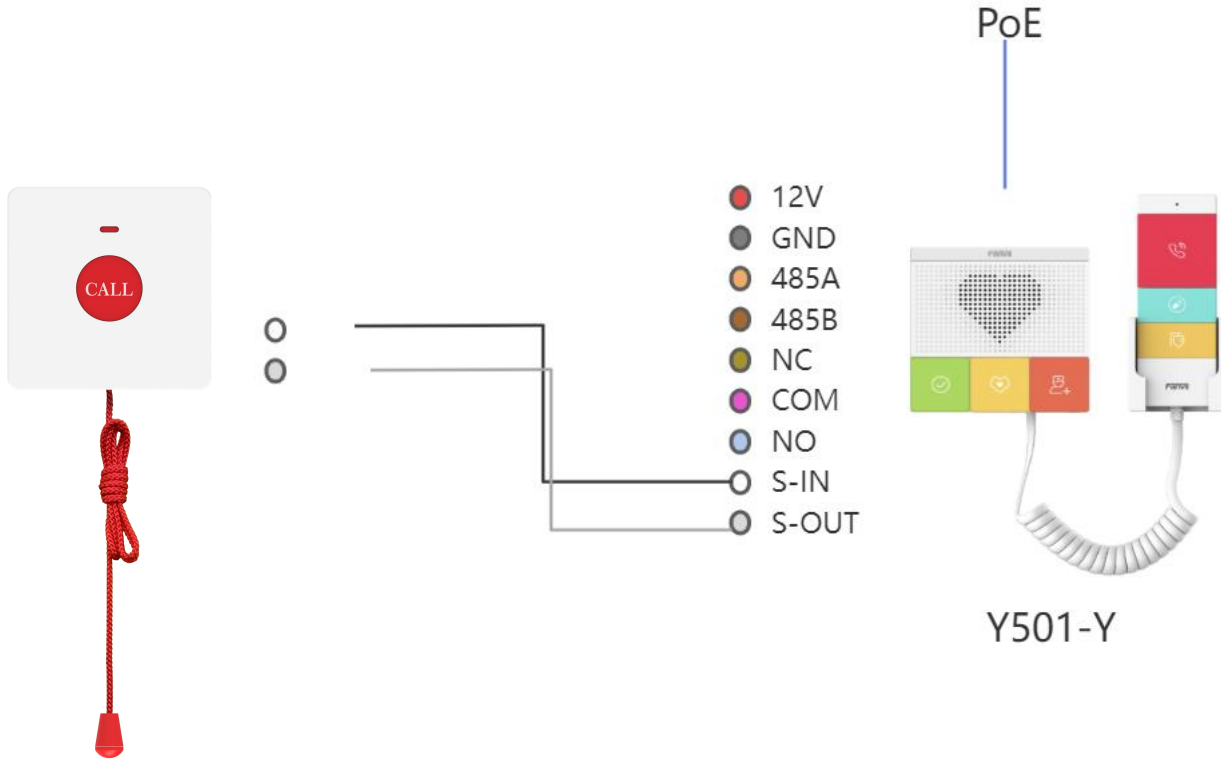
- ✓ IP44 waterproof and dustproof.
- ✓ Button with extended drawstring design for emergency assistance in case of fall. The pull- cord length is 2 meters.



Model	KT31
Applicable Models	Y501/Y501-Y Series
Product Dimensions (L*W*H)	86mm*86mm*19mm
Material	ABS
Number of keys	1
Operating Life	50,000 Times
Protection Grade	IP44
Pull-cord Length	2 meters
Working Temperature	-20~ +55°C

Connection Diagram

To connect the wired button to the Y501/Y501-Y device, match the interfaces and wire colors as follows, Once connected, power on the device.



Web Configuration

The basic steps for configuring the webpage are as follows:

1. Obtain the device IP and enter it in the browser to log in. Navigate to **Security Settings >> Input Port Settings**.
2. Choose the trigger By mode, defaulting to low-level triggering.
3. Select the trigger action:
 - 3.1 Send Short Message: Choose whether to send a short message.
 - 3.2 Trigger Shortcut: Select the shortcut key to trigger, defaulting to none.
 - 3.3 Trigger Ringtone: Choose the desired trigger ringtone, defaulting to none.
4. After completing the above configurations, click "**Submit**".

The screenshot displays the web configuration interface for Security Settings. The left sidebar contains a navigation menu with the following items: System, Network, Line, Device settings, Call List, Function Key, Security, Device Log, Security Settings (highlighted with a red arrow and number 1), and Platform Access. The main content area is titled "Security Settings" (highlighted with a red arrow and number 2) and is divided into three sections: Basic Settings, Input Settings >>, and Output Settings >>. The Basic Settings section includes fields for Ringtone Duration (5), Input & Tamper Server Address, and Message (Alarm_Info:Description=\$model,SIP User=\$active_user,Mac=\$mac,IP=\$ip,port=\$trigge). The Input Settings >> section is highlighted with a red box and contains fields for Input1 (checked), Input Name (input1), Triggered By (Low Level Trigger(Close Trigger)), Triggered Action (Send SMS), Dss Key (DssKey2), Input Reset Code (1234), Input Duration (0), and Triggered Ringtone (None). Red arrows and the number 3 point to the Input Settings section. An "Apply" button is visible at the bottom of the Input Settings section.

The above specifications may be updated in the future without prior notice. All hardware/software/physical features should be based on the final shipped products. For more information, please visit: www.fanvil.com

www.fanvil.com

Add:10/F Block A, Dualshine Global Science Innovation Center,Honglang North 2nd Road, Bao'an District, Shenzhen, China, 518100

Tel: +86-755-2640-2199 Fax: +86-755-2640-2618 Email: sales@fanvil.com

